

Mate-N-Loc connector

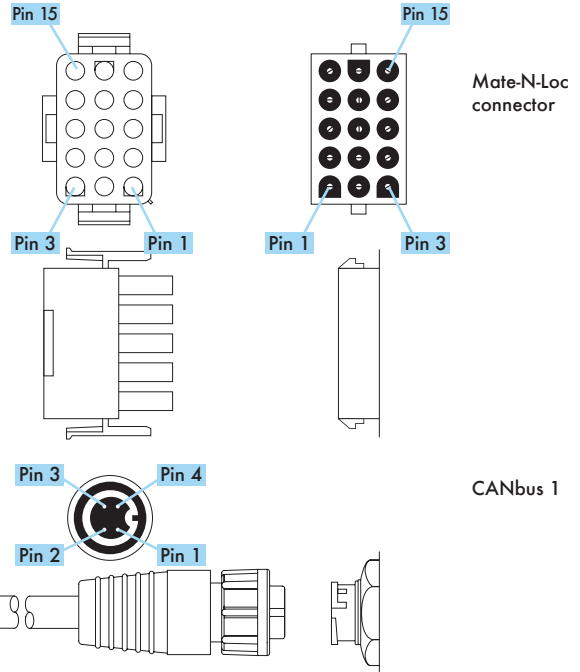
Pin

- Pin 1 Volt in 1 On/Off
- Pin 2 Volt in 2 On/Off
- Pin 3 Volt in 3 On/Off
- Pin 4 Volt out 1 On/Off
- Pin 5 Volt out 2 On/Off
- Pin 6 Volt out 3 On/Off
- Pin 7 Volt in 4 On/Off
- Pin 8 Volt in 5 On/Off
- Pin 9 Volt in 6 On/Off
- Pin 10 Volt out 4 On/Off
- Pin 11 Volt out 5 On/Off
- Pin 12 Volt out 6 On/Off
- Pin 13 Input On/Off 1
- Pin 14 Input On/Off 2
- Pin 15 Ground \perp

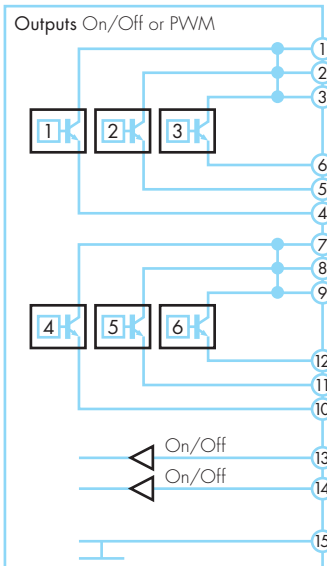
CANbus 1

Pin Function Color

- Pin 1 V+ 10...60VBN
- Pin 2 Gnd \perp BK
- Pin 3 CAN1-H WH
- Pin 4 CAN1-L BU



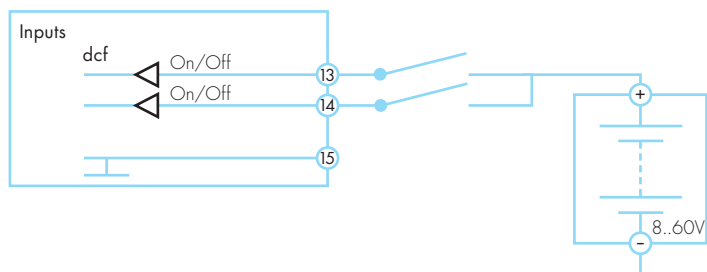
Always connect Power and Ground on this connector.



Colour code of electric cables

BK	Black	Zwart	Schwarz	Noir	Negro	Nero	Чернота
BN	Brown	Bruin	Braun	Brun	Marrón	Marrone	коричневый
BU	Blue	Blauw	Blau	Bleu	Azul	Blu	голубо
GR	Green	Groen	Grün	Vert	Verde	Verde	зеленый цвет
GY	Grey	Grijs	Grau	Gris	Gris	Grigio	серо
OG	Orange	Oranje	Orange	Orange	Anaranjado	Alaranjado	померанцово
RD	Red	Rood	Rot	Rouge	Rojo	Rosso	красно
WH	White	Wit	Weiss	Blanc	Blanco	Bianco	белый
YE	Yellow	Geel	Gelb	Jaune	Amarillo	Giallo	желтый цвет

Input example



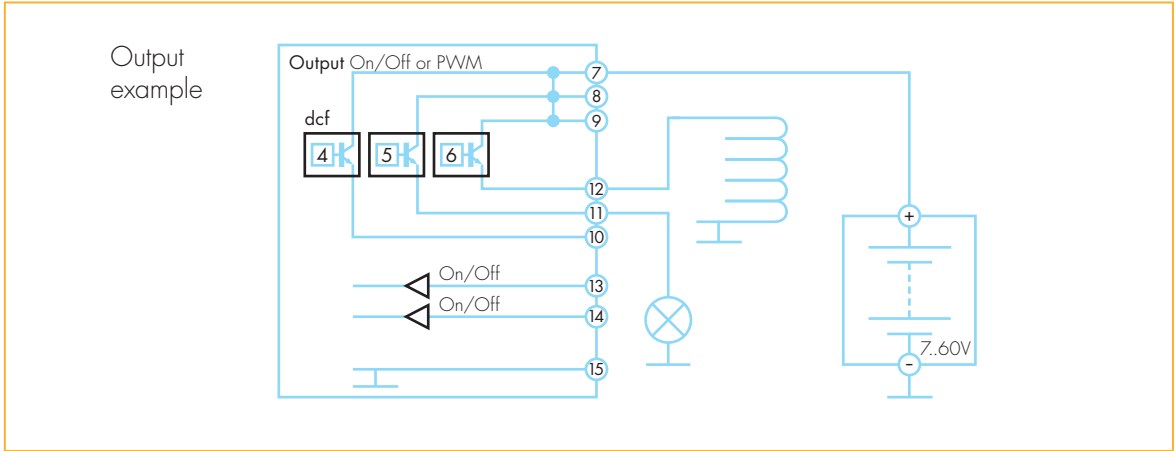


Fig.1 Device connection.

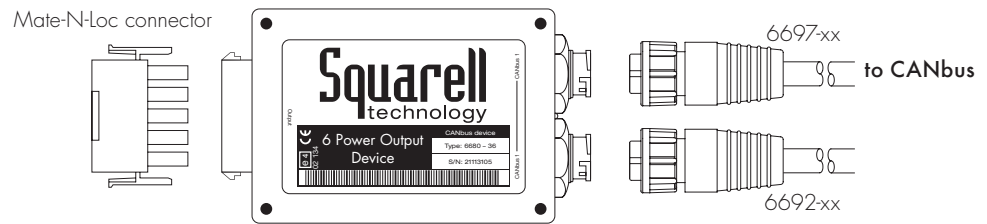


Fig. 2 Configure (upload dcf).

