



Fig.1

- Configure (upload dcf).
- Connection J1708 (J1537) to CANbus or vice versa.

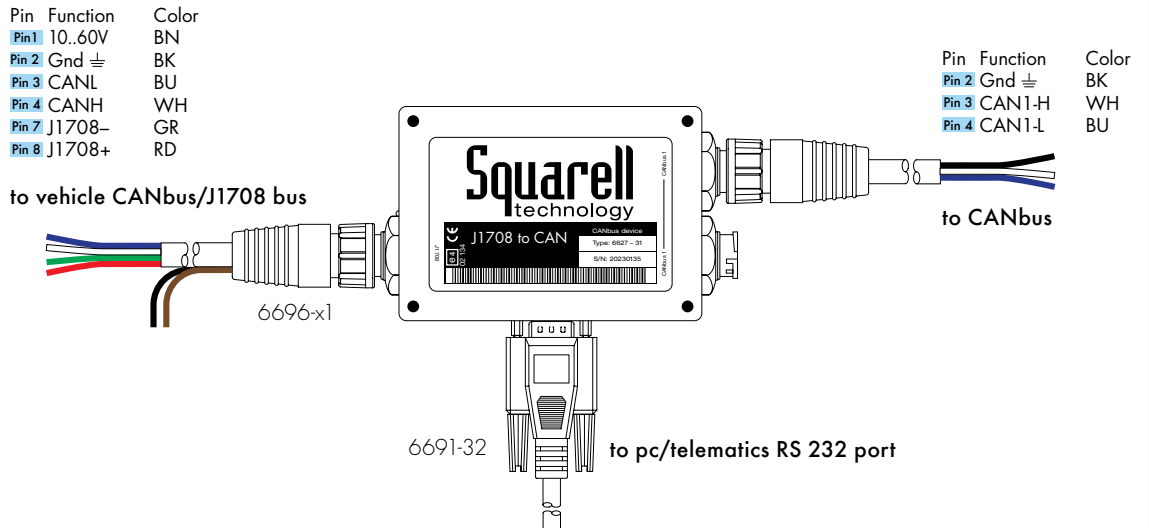


Fig. 2

- Configure (upload dcf).
- Connection 1708 monitor.
- Connection to telematics interface.

