

K-Line connector

| Pin | Function | Color |
|-------|----------|-------|
| Pin 1 | 10..60V | BN |
| Pin 2 | Gnd | BK |
| Pin 3 | CANL | BU |
| Pin 4 | CANH | WH |
| Pin 5 | K-Line | OG |
| Pin 6 | L-Line | YE |
| Pin 7 | N.C. | N.C. |
| Pin 8 | N.C. | N.C. |

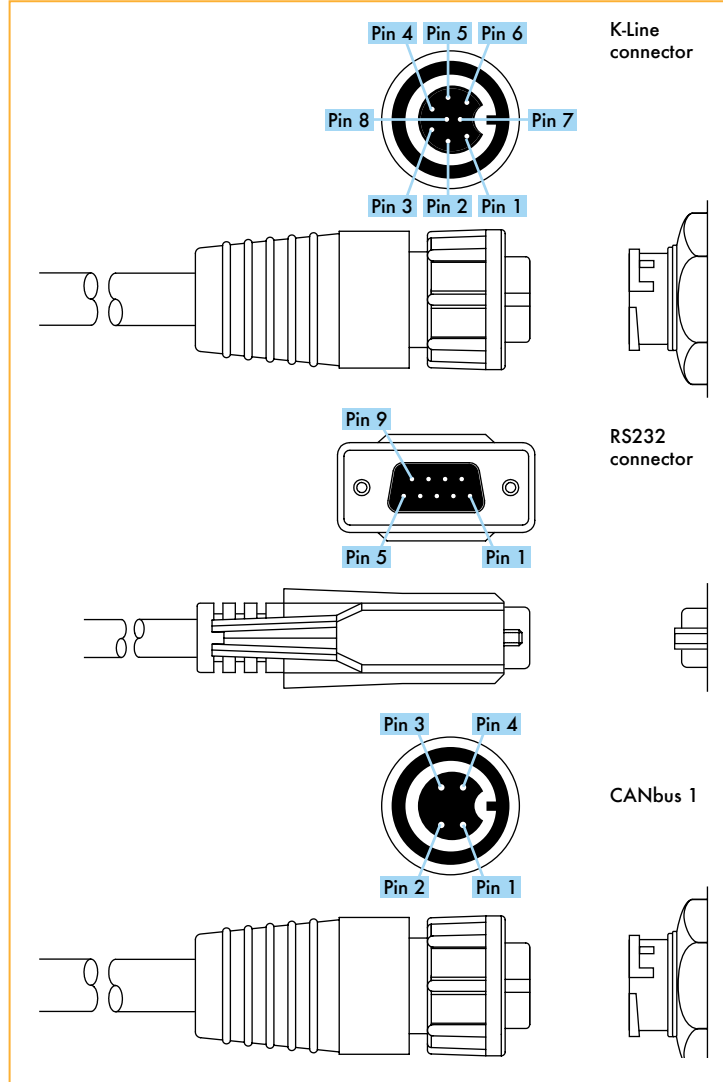
RS232 connector

| Pin | Function |
|-------|---------------------|
| Pin 1 | DCD 5V out* |
| Pin 2 | Tx Transmit data |
| Pin 3 | Rx Receive data |
| Pin 4 | DTR N.C. |
| Pin 5 | Gnd Signal ground |
| Pin 6 | DSR N.C. |
| Pin 7 | RTS Request To Send |
| Pin 8 | CTS Clear To Send |
| Pin 9 | RI 5V out* |

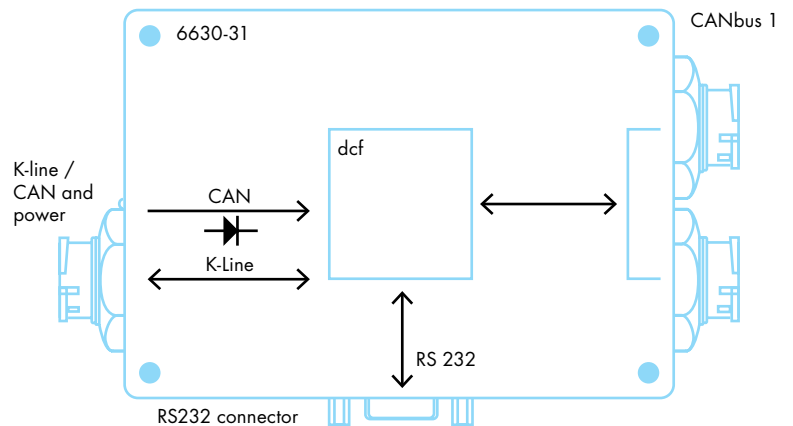
*total 50mA

CANbus 1

| Pin | Function | Color |
|-------|----------|-------|
| Pin 1 | N.C. | N.C. |
| Pin 2 | Gnd | BK |
| Pin 3 | CAN1-H | WH |
| Pin 4 | CAN1-L | BU |



Connection



Colour code of electric cables

| BK | BN | BU | GR | GY | OG | RD | WH | YE |
|---------|------------|--------|--------------|--------|-------------|--------|--------|-------------|
| Black | Brown | Blue | Green | Grey | Orange | Red | White | Yellow |
| Zwart | Bruin | Blauw | Groen | Grijs | Oranje | Rood | Wit | Geel |
| Schwarz | Braun | Blaue | Grün | Grau | Orange | Rot | Weiss | Gelb |
| Noir | Brun | Bleu | Vert | Gris | Anaranjado | Rouge | Blanc | Jaune |
| Negro | Marrón | Azul | Verde | Gris | Alaranjado | Rojo | Blanco | Amarillo |
| Nero | Marrone | Blu | Verde | Grigio | померанцово | Rosso | Bianco | Giallo |
| Чернота | коричневый | Голуба | зеленый цвет | серо | | красно | белый | желтый цвет |

Fig.1

- Configure (upload firmware/dcf).
- Connection K-Line Monitor.
- Connection to telematics interface.

| Pin | Function | Color |
|-------|-------------|-------|
| Pin 1 | 10..60V | BN |
| Pin 2 | Gnd \perp | BK |
| Pin 3 | CANL | BU |
| Pin 4 | CANH | WH |
| Pin 5 | K-Line | OG |
| Pin 6 | L-Line | YE |

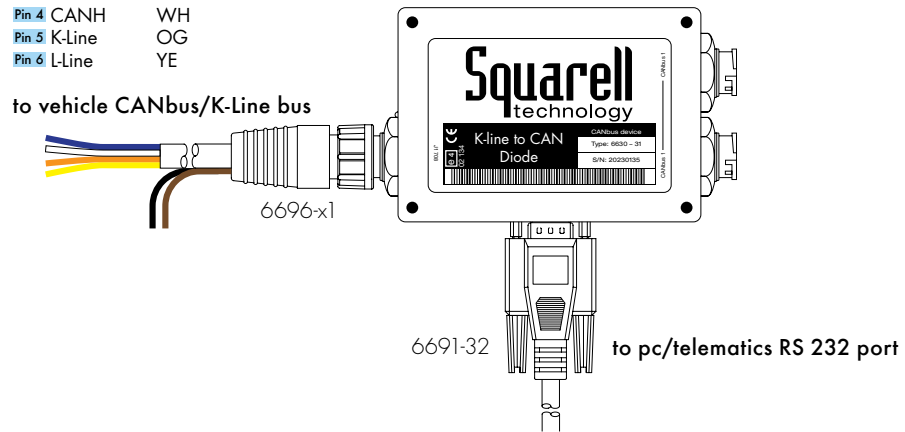


Fig. 2

- Configure (upload firmware/dcf).
- Connection K-Line to CANbus (J1939) or vice versa.

| Pin | Function | Color |
|-------|-------------|-------|
| Pin 1 | 10..60V | BN |
| Pin 2 | Gnd \perp | BK |
| Pin 3 | CANL | BU |
| Pin 4 | CANH | WH |
| Pin 5 | K-Line | OG |
| Pin 6 | L-Line | YE |

| Pin | Function | Color |
|-------|-------------|-------|
| Pin 2 | Gnd \perp | BK |
| Pin 3 | CAN1-H | WH |
| Pin 4 | CAN1-L | BU |

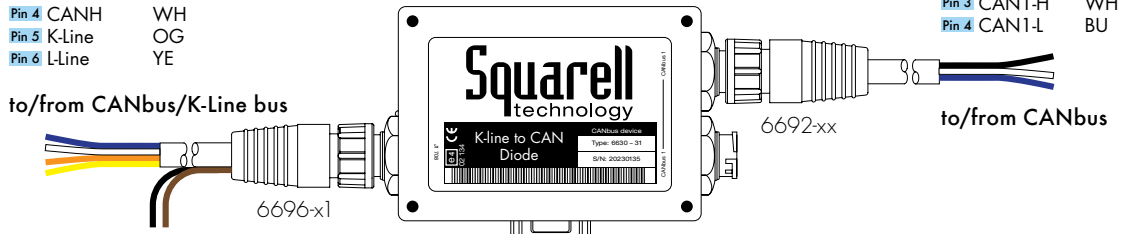


Fig. 3 Connection to telematics interface with extra CANbus.

