

Connecting the Thermocouple sensor to the sensor cable

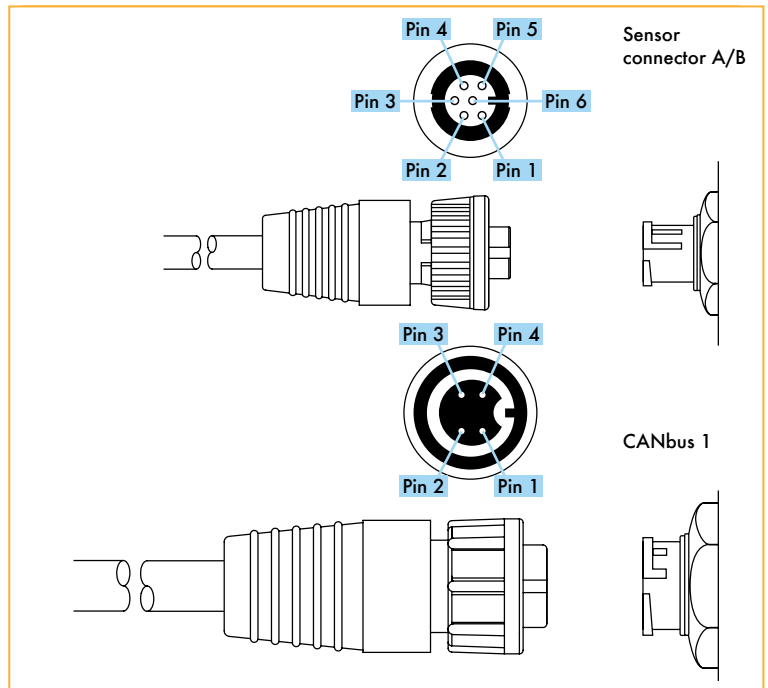
Use the 6700-x0 Sensor cable to connect

Sensor connector A/B

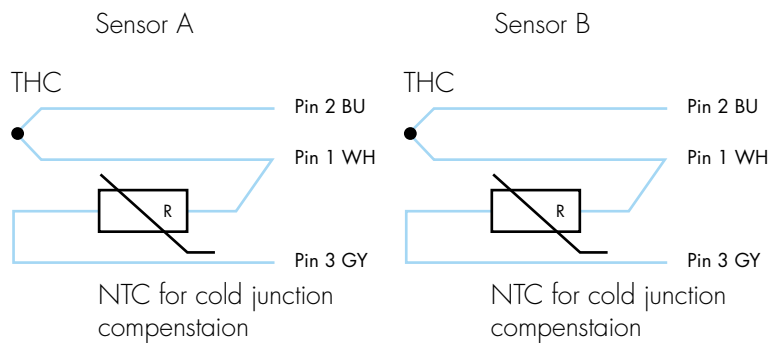
Pin	Function	Color
Pin 1	Gnd \perp	WH
Pin 2	ThcVolt	BU
Pin 3	Cold-J	GY
Pin 4	Volt out	RD
Pin 5	N.C.	N.C.
Pin 6	N.C.	N.C.

CANbus 1

Pin	Function	Color
Pin 1	V+ 10...60VBN	BK
Pin 2	Gnd \perp	BK
Pin 3	CAN1-H	WH
Pin 4	CAN1-L	BU



Sensor connections



Colour code of electric cables

BK	Black	Zwart	Schwarz	Noir	Negro	Nero	Чернота
BN	Brown	Bruin	Braun	Brun	Marrón	Marrone	коричневый
BU	Blue	Blauw	Blau	Bleu	Azul	Blu	Голуба
GR	Green	Groen	Grün	Vert	Verde	Verde	зеленый цвет
GY	Grey	Grijs	Grau	Gris	Gris	Grigio	серо
OG	Orange	Oranje	Orange	Orange	Anaranjado	Alaranjado	померанцово
RD	Red	Rood	Rot	Rouge	Rojo	Rosso	красно
WH	White	Wit	Weiss	Blanc	Blanco	Bianco	белый
YE	Yellow	Geel	Gelb	Jaune	Amarillo	Giallo	желтый цвет

Fig.1 Device connections

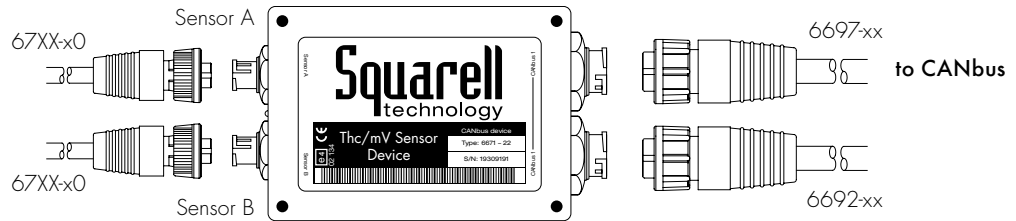


Fig. 2 Configure (upload dcf).

